



INSTALLATION AND OPERATION INSTRUCTIONS FOR OGDEN MICA BAND HEATERS

READ AND FOLLOW ALL INSTRUCTIONS

BEFORE INSTALLING:

1. Unpackage the heater at the place of installation. Inspect the heater for shipping damages and report any claims to the carrier. **Do not operate damaged equipment.** Consult OGDEN for instructions.
2. Check the nameplate watt and volt rating against your supply voltage and capacity.



INSTALLATION INSTRUCTIONS

Physical Installation

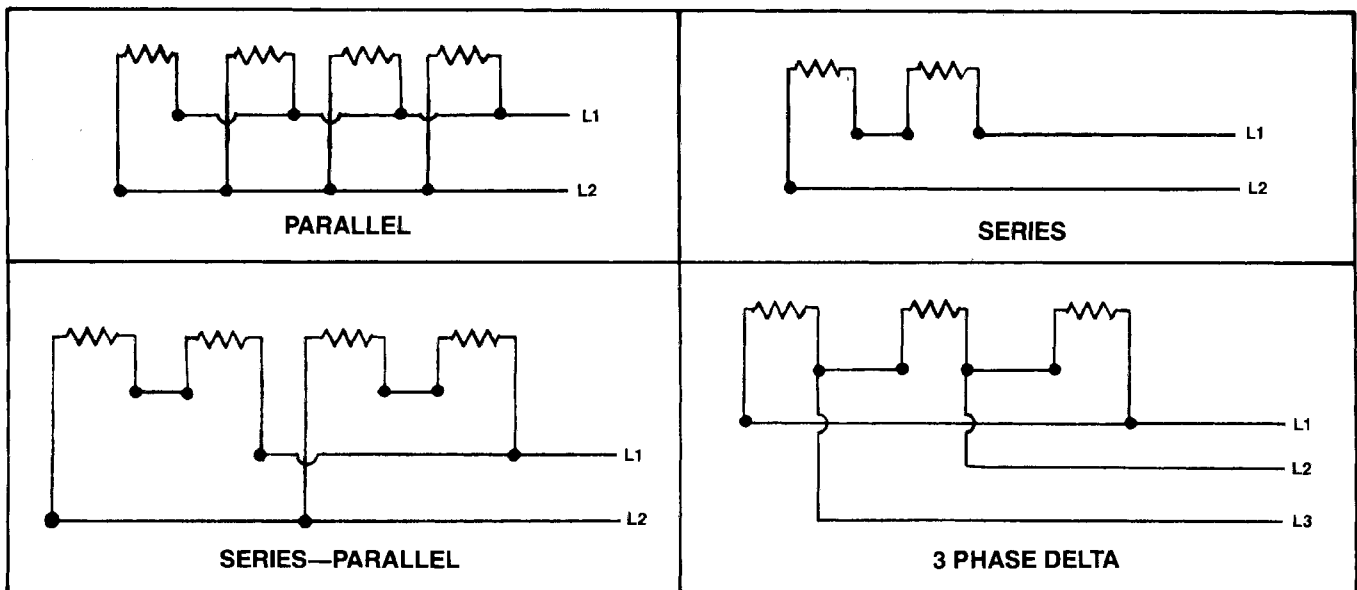
1. Heaters should be installed on smooth clean cylinder of the proper diameter.
2. Slide full band heaters over the barrel or nozzle and into position. Do not open the heater for installation as this will degrade the mica and cause premature failure.
3. Clamp the heaters firmly onto the cylinder using the hardware provided. Retighten after the heaters have reached operating temperature and cooled.

Electrical Installation:

CAUTION: Heater applications require the use of wiring with high-temperature insulation and/or nickel plated copper or nickel alloy conductors.

Wiring must be installed in accordance with the requirements of the National Electric Code and any applicable local codes. Conductors should be derated and insulated in accordance with the National Electric Code when wiring is installed in locations with a high ambient temperature.

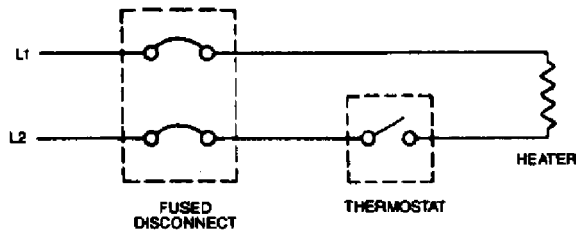
Heaters should be rewired in parallel or series depending on the heater rating, control system and supply voltage. Some typical wiring diagrams are shown:



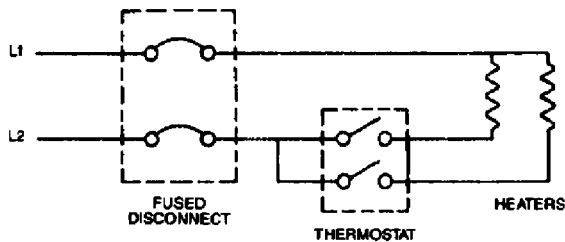
Typical Wiring Diagrams

SINGLE PHASE

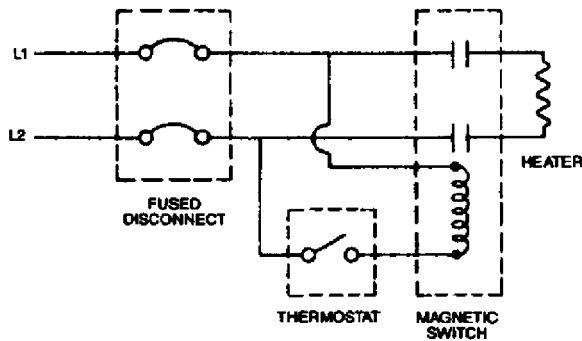
AC OR DC HTR CIRCUIT



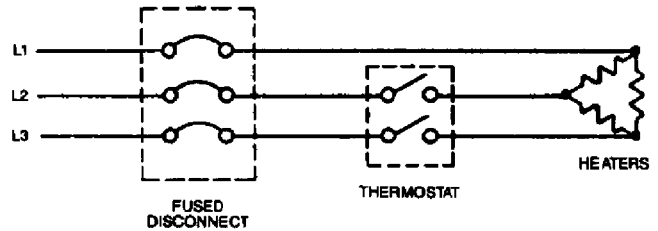
CIRCUIT WITH THERMOSTAT CONNECTED FOR HALF CURRENT LOAD ACROSS EACH CONTACT



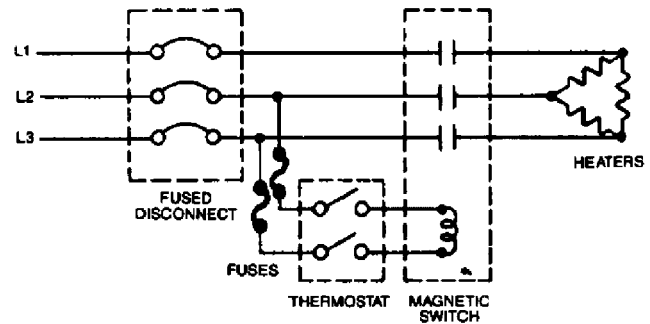
TYPICAL CONNECTIONS WHEN LINE CURRENT EXCEEDS THERMOSTAT RATING



3 PHASE



TYPICAL CONNECTION WHEN LINE CURRENT EXCEEDS THERMOSTAT RATING



BEFORE ENERGIZING HEATERS

1. Be sure that all electrical connections are tight.
2. Be sure that conductors are properly insulated and that they are protected from abrasion and extreme temperatures.
3. Be sure that the heaters are grounded.

OPTIMIZE HEATER PERFORMANCE

1. Insure a proper fit by using correct heater diameter.
2. Avoid excessive cycling by matching heater to load.
3. Retighten heater clamping hardware after heaters have been operated at full temperature and cooled.
4. Avoid excessive torque on screw terminals.
5. Do not allow contaminants such as dirt, oil and plastics to collect on heaters. These materials can carbonize and cause electrical shorts.
6. Maximum sheath temperature is 800 degrees F. If higher operating temperatures are anticipated, consult factory for alternatives.



64 West Seegers Road, Arlington Heights., IL 60005
 Phone: 847-593-8050 • Fax: 847-593-8062
 www.ogdenmfg.com • sales@ogdenmfg.com

© Ogden Manufacturing Co. 2000
 OGDEN is a Registered Trademark of
 Ogden Manufacturing Co.
 MARCA REGISTRADA