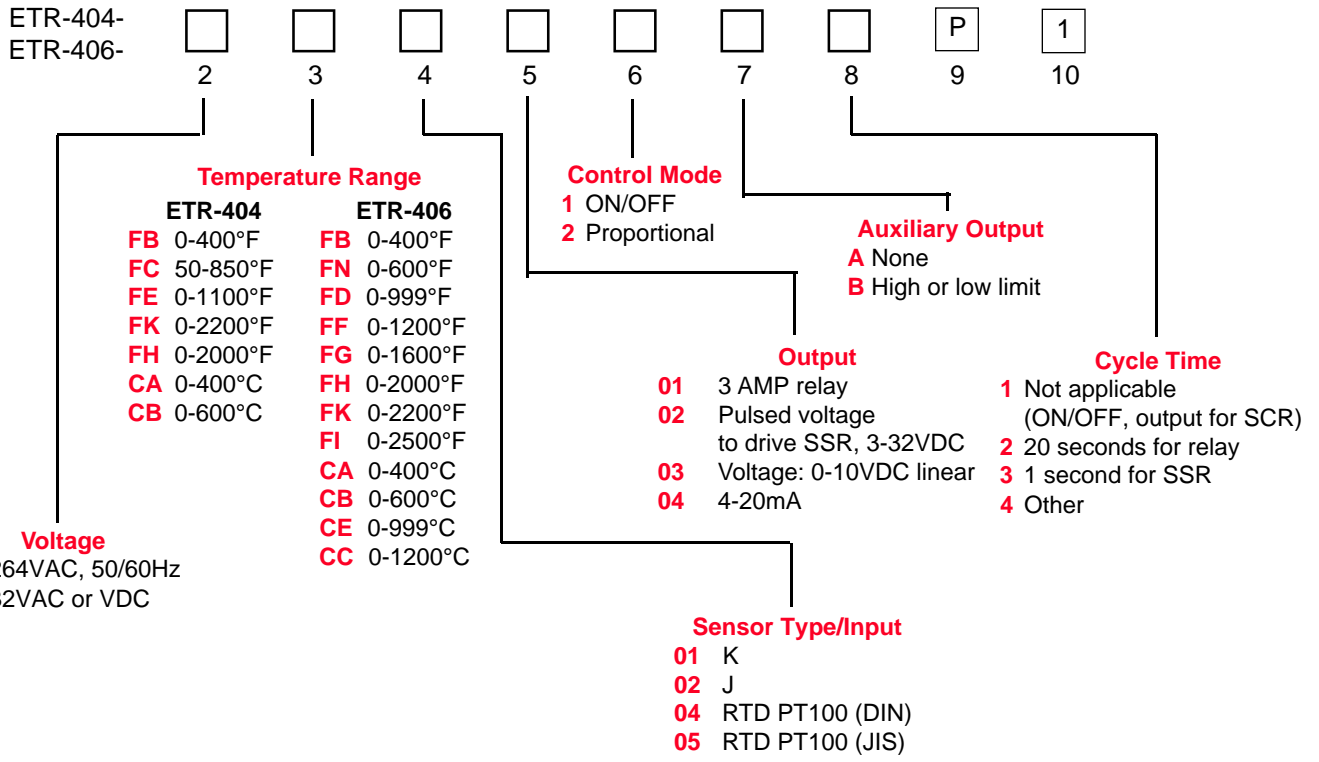


ORDERING INFORMATION FOR ¼ DIN ETR® TEMPERATURE CONTROLS*



EXAMPLE: ETR-404-3 FC 02 02 2 A 3 P 1
ETR-406-3 FH 01 20 2 A 1 P 1

*Blocks 6 and 8 must be in agreement
Not all selections are adaptable from stock items—See Stock List