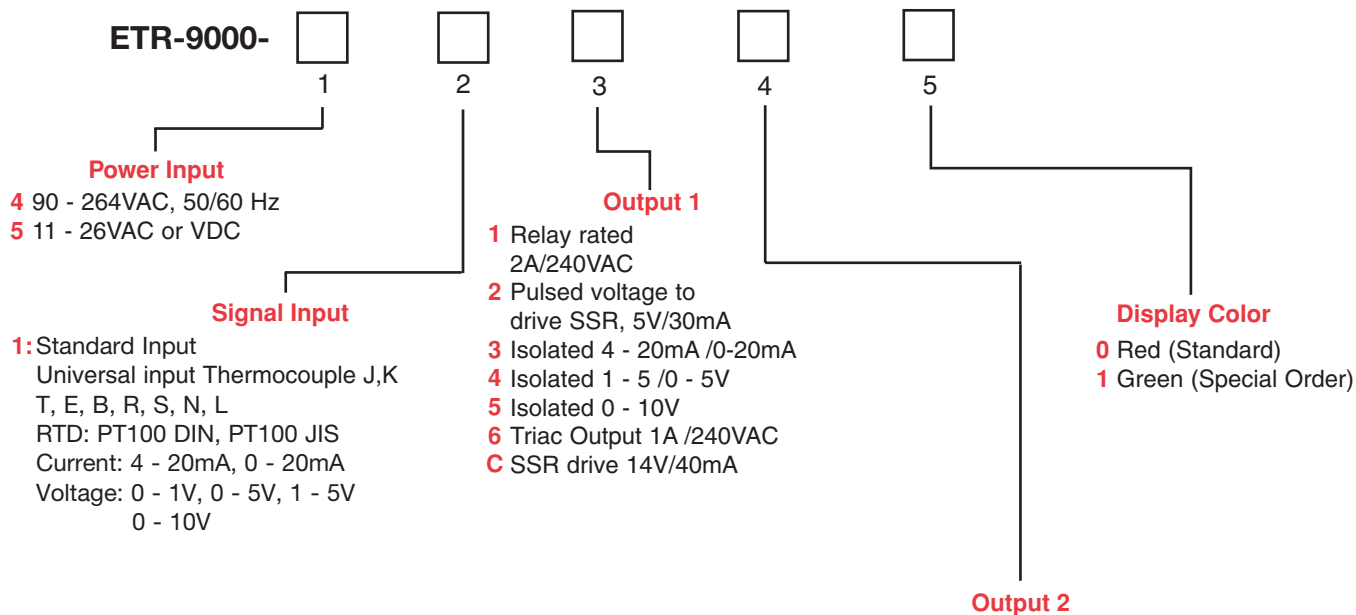


**ORDERING INFORMATION FOR ETR-9000 SMARTER LOGIC®  
MICROPROCESSOR BASED TEMPERATURE CONTROLS**



**Example:**

**Standard Model**  
**ETR-9000-411110**

- 90 - 264VAC Operating Voltage
- Input: Set 1 Universal Input
- Output 1: Relay
- Output 2: Relay
- Red Display